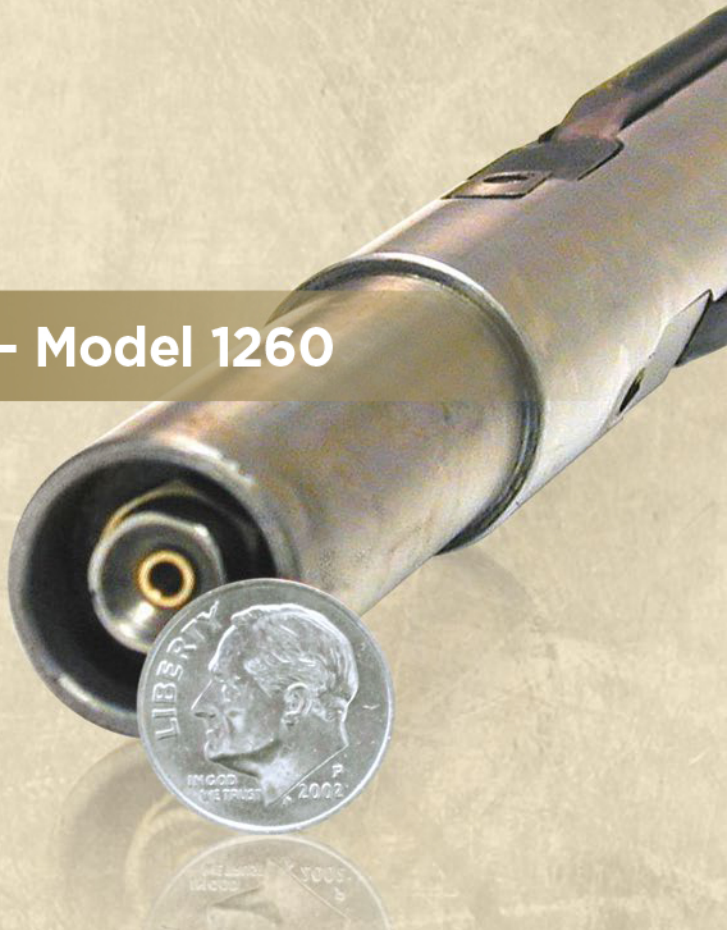


# Design Flexibility. Field-Proven!

## PURE GOLD

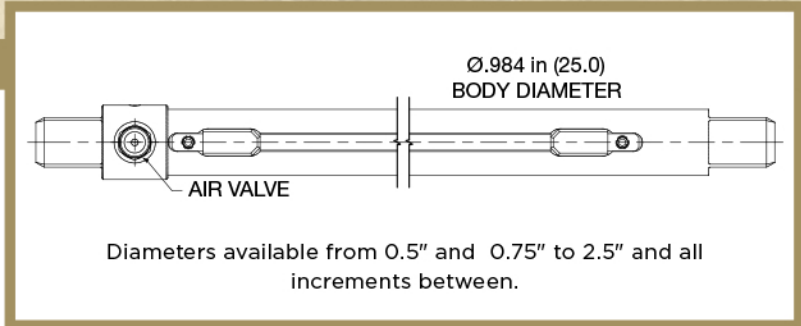
### Small Diameter / Locked Core – Model 1260

The Goldenrod **Small Diameter shafts** are turned from one-piece, solid steel which translates into less deflection, higher run speeds with less vibration, and less bending. Available in lengths up to 100" long.

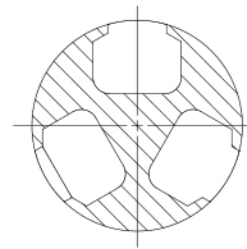


#### Key Features:

- Perfect for tape and ribbon rewinds
- One-piece, solid steel or aluminum – no weak journal/body connections
- One-piece holds more weight/less deflection
- Full length grip/ greater expansion
- Guaranteed retraction
- Easy maintenance – 10 min bladder repair
- Simple, affordable spare parts
- Razorproof
- Works well in plastic, metal and cardboard cores



Three Continuous Grip Ledges on 1" Diameter Shafts and Up



EXAMPLE: 60" OAL; 50" total web width; cantilevered to unload				
Body Diameter	# of ledges	Type of support	Max multiple web load	Max point load on end
1"	3	double bearing or flange	90 lbs	20 lbs
1.5"	3	double bearing or flange	450 lbs	100 lbs

NOTE: Max multiple web load based on max recommended 0.125" deflection

**GOLDENROD**



**CORPORATION**

Goldenrod Corporation – partnered with Svecom P.E.

